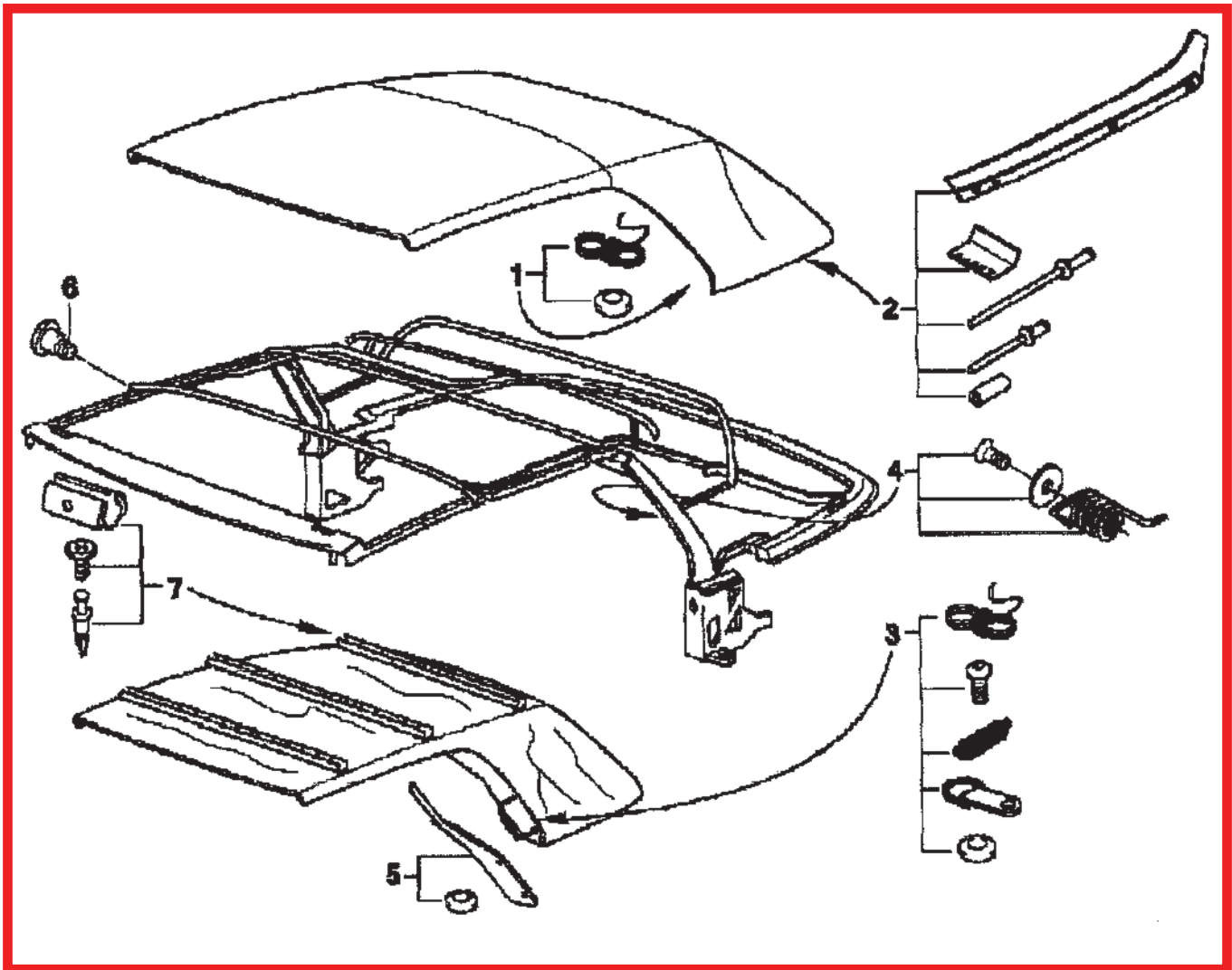


BM8110
1994-99 BMW 318, 323, 325, & 328 I
Headliner Installation Aid
&
Headliner String Kit Installation Diagram

BMW headliners have been known to have problems with the "U" shaped overhead plastic bow channels. Occasionally it slips off the bow after installation.

The manufacturer of the headliner recommends installing pop rivets or screws through the "U" shaped plastic into the metal bows. Using 2-3 pop rivets or screws per bow should be sufficient in preventing the plastic from slipping off of the bow.



Electron Top Mfg Co

126-15 89th Ave.
Richmond Hill, NY 11418
(800) 221-4476

Pg 1 of 8

BM8110
1994-99 BMW 318, 323, 325, & 328 I
Headliner Installation Aid
&
Headliner String Kit Installation Diagram



FIG. 1

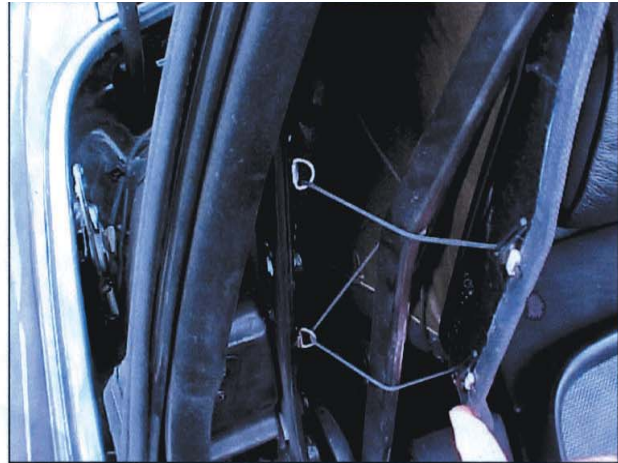
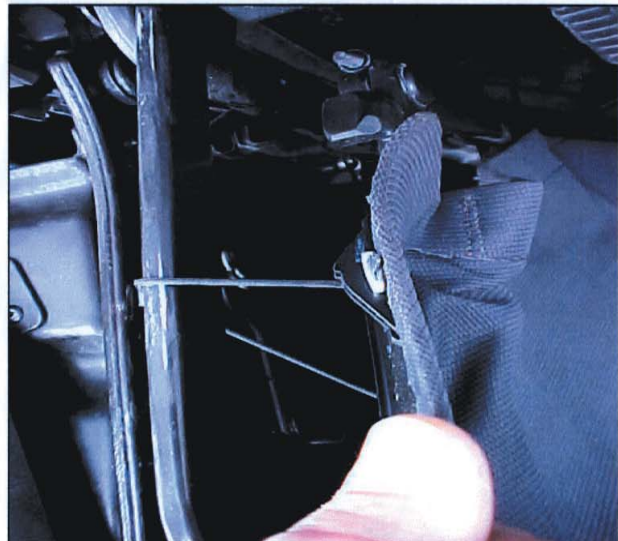


FIG. 2



Electron Top Mfg Co

126-15 89th Ave.
Richmond Hill, NY 11418
(800) 221-4476

Pg 2 of 8

BM8110
1994-99 BMW 318, 323, 325, & 328 I
Headliner Installation Aid
&
Headliner String Kit Installation Diagram



Electron Top Mfg Co

126-15 89th Ave.
Richmond Hill, NY 11418
(800) 221-4476

Pg 3 of 8

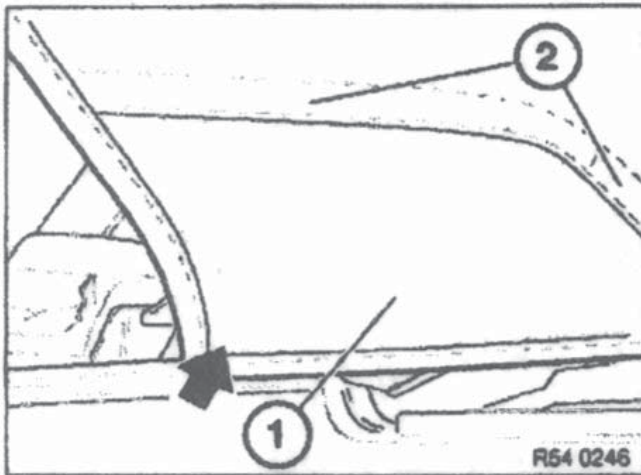
BM8110
1994-99 BMW 318, 323, 325, & 328 I
Headliner Installation Aid



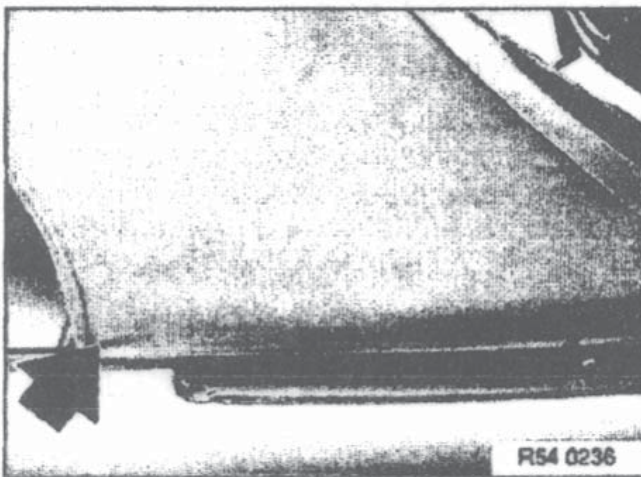
54 31 Summary on tensioning cables in convertible top and headlining

Note:

The repair instructions distinguish between versions "with" and "without" folding aid for the convertible top.



Version "with" folding aid (relief patch) (1) for convertible top cover: This version was fitted on manual and semiautomatic convertible tops up to production in 10/95. Folding aid (1) with seam (2).



Version "without" folding aid for convertible top cover: This version was fitted on manual and semi-automatic convertible tops from production 11/95 and all versions with fully automatic convertible tops.



Electron Top Mfg Co

126-15 89th Ave.
Richmond Hill, NY 11418
(800) 221-4476

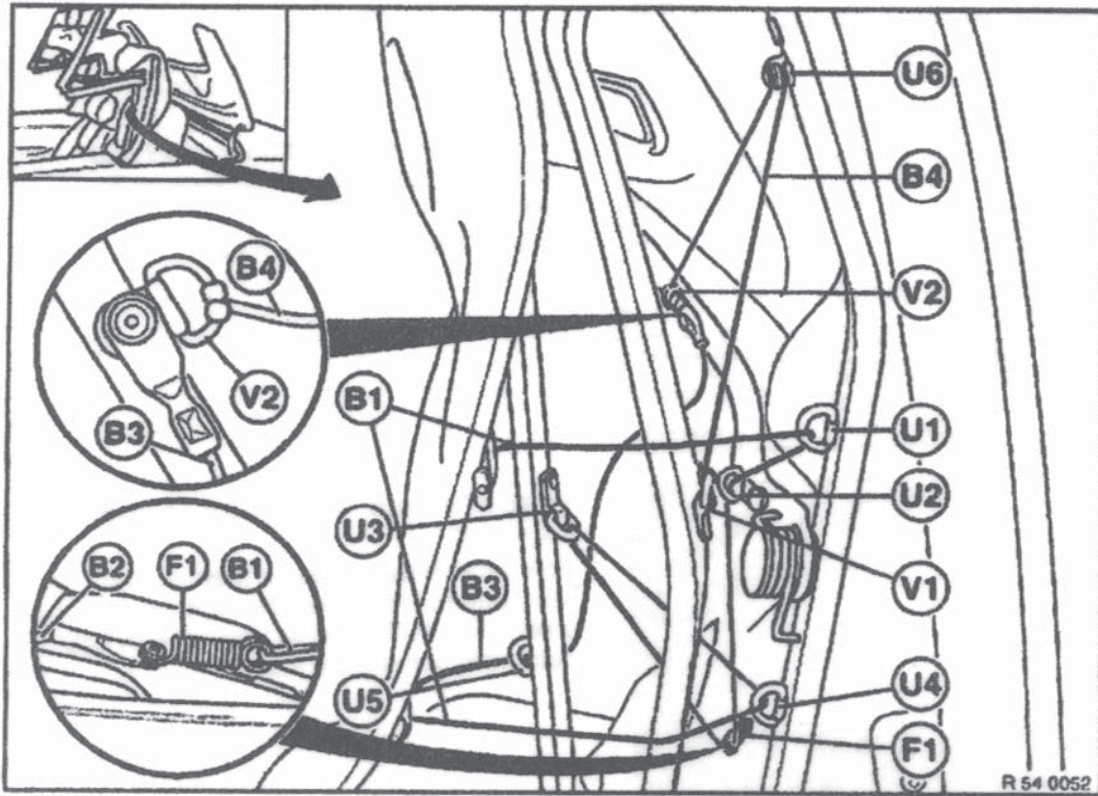
BM8110
 1994-99 BMW 318, 323, 325, & 328 I
 Headliner Installation Aid



*Do not use this page for
 * Electron Tops **

Do not unscrew or remove reversing bracket (U1) to (U6) and the screw bracket (V1). (Damage to the convertible top could occur).

Only versions "with" folding aid for convertible top (built up to 10/95):



U....Changeover lugs

B.... Tensioning cables

V.... Screw lugs

F.... Tensioning springs

Only versions "without" folding aid for convertible top cover
 (EM convertible top fully automatic:)



Electron Top Mfg Co

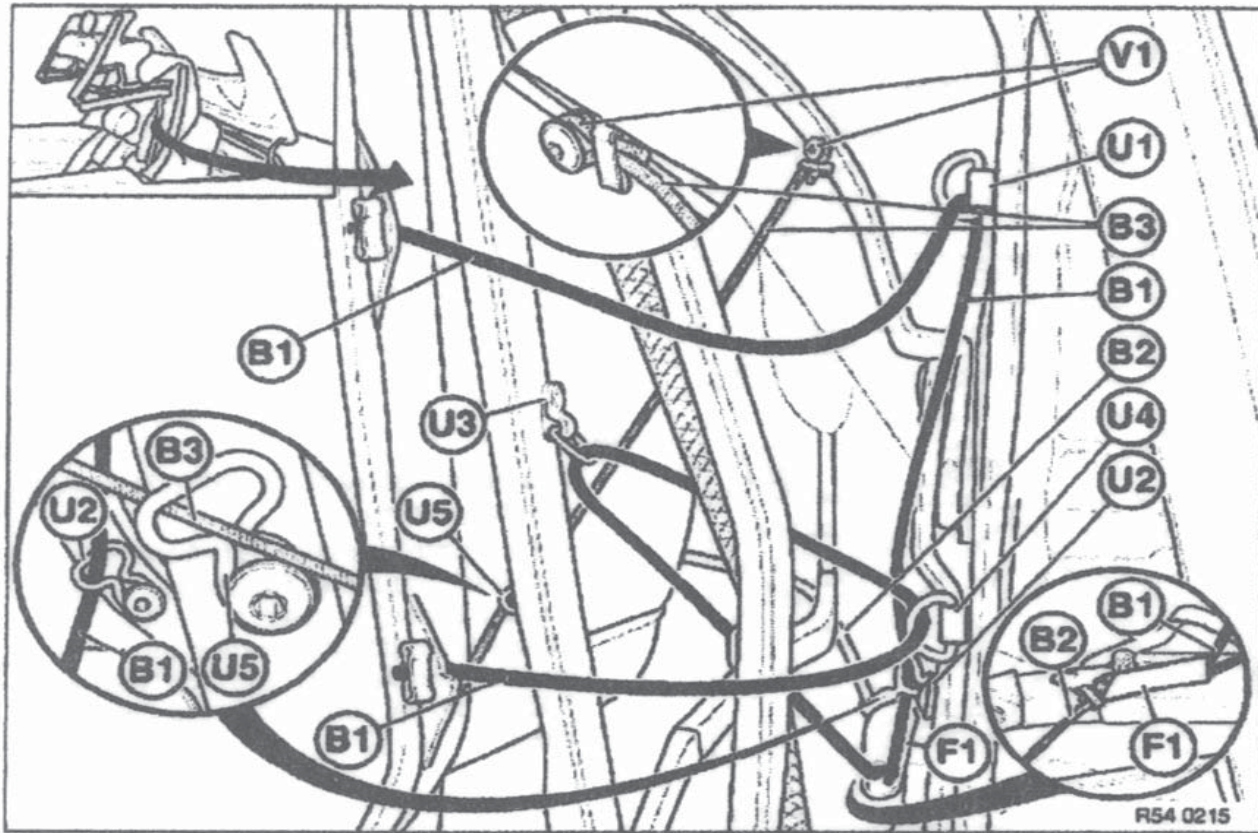
126-15 89th Ave.

Richmond Hill, NY 11418

(800) 221-4476

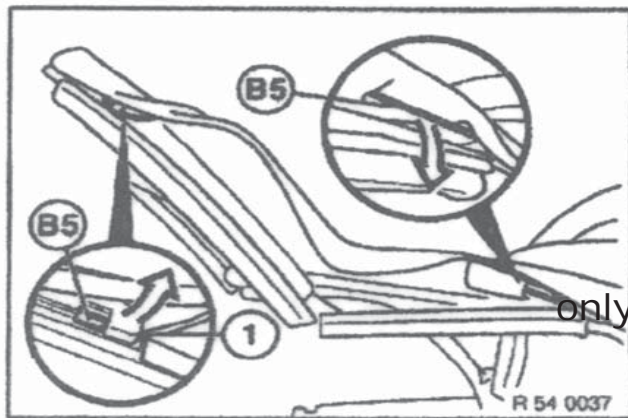
BM8110
 1994-99 BMW 318, 323, 325, & 328 I
 Headliner Installation Aid

Only versions "without" folding aid for convertible top (built up to 10/95):



U....Changeover lugs
 V.... Screw lugs

B.... Tensioning cables
 F.... Tensioning springs



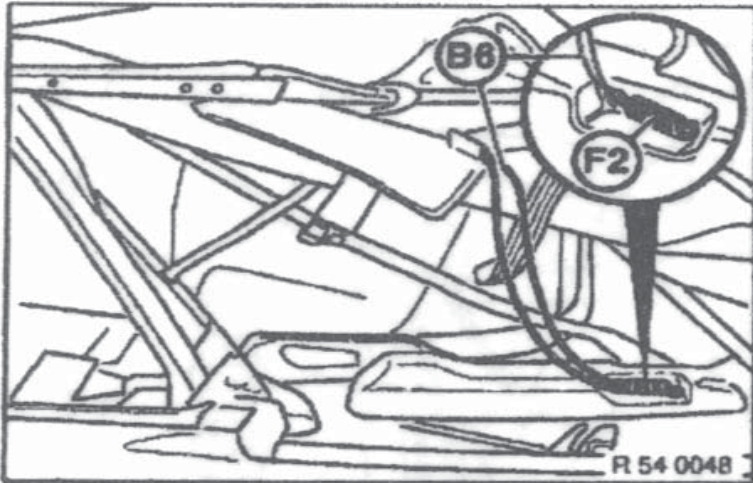
Note:
 Spring (F2) and clamping cable (B6)
 only on versions "with" folding aid
 for convertible top.



Electron Top Mfg Co

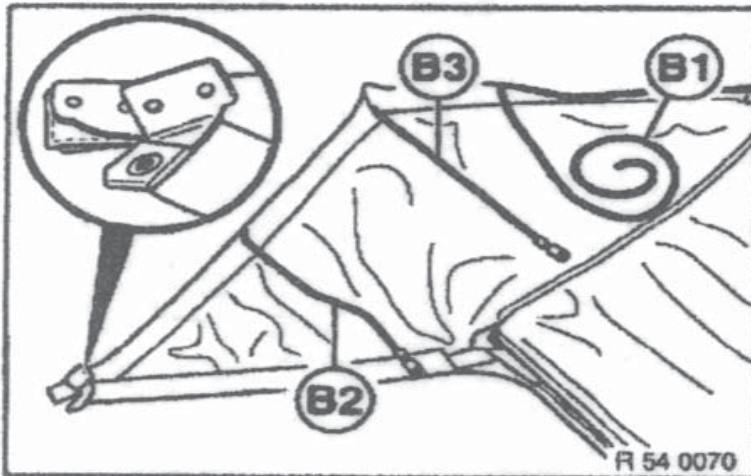
126-15 89th Ave.
 Richmond Hill, NY 11418
 (800) 221-4476

BM8110
1994-99 BMW 318, 323, 325, & 328 I
Headliner Installation Aid



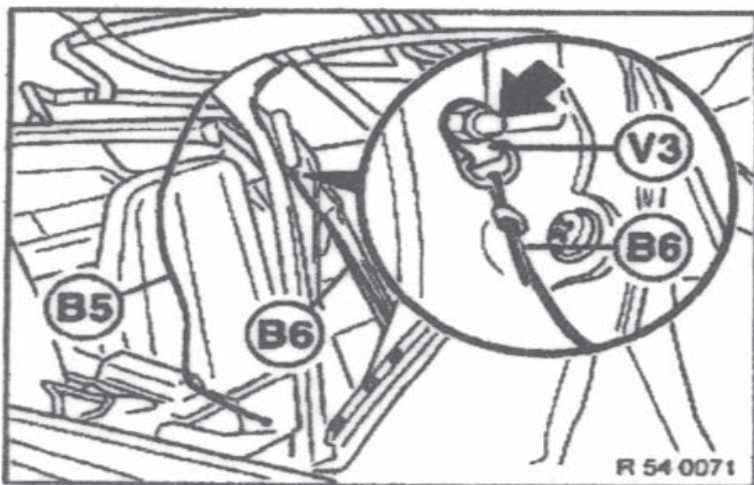
Note:

Clamping cables (B2) and (B3) sewed into headlining. If the clamping cable (B1) from the repair kit (sourcing reference: BMW Parts Service) is used, it is cut to different lengths depending on whether the version "with" or "without" folding aid for convertible top is used.



Note:

Screw bracket (V3) and clamping cable (B6): only on version "with" folding aid for convertible top.



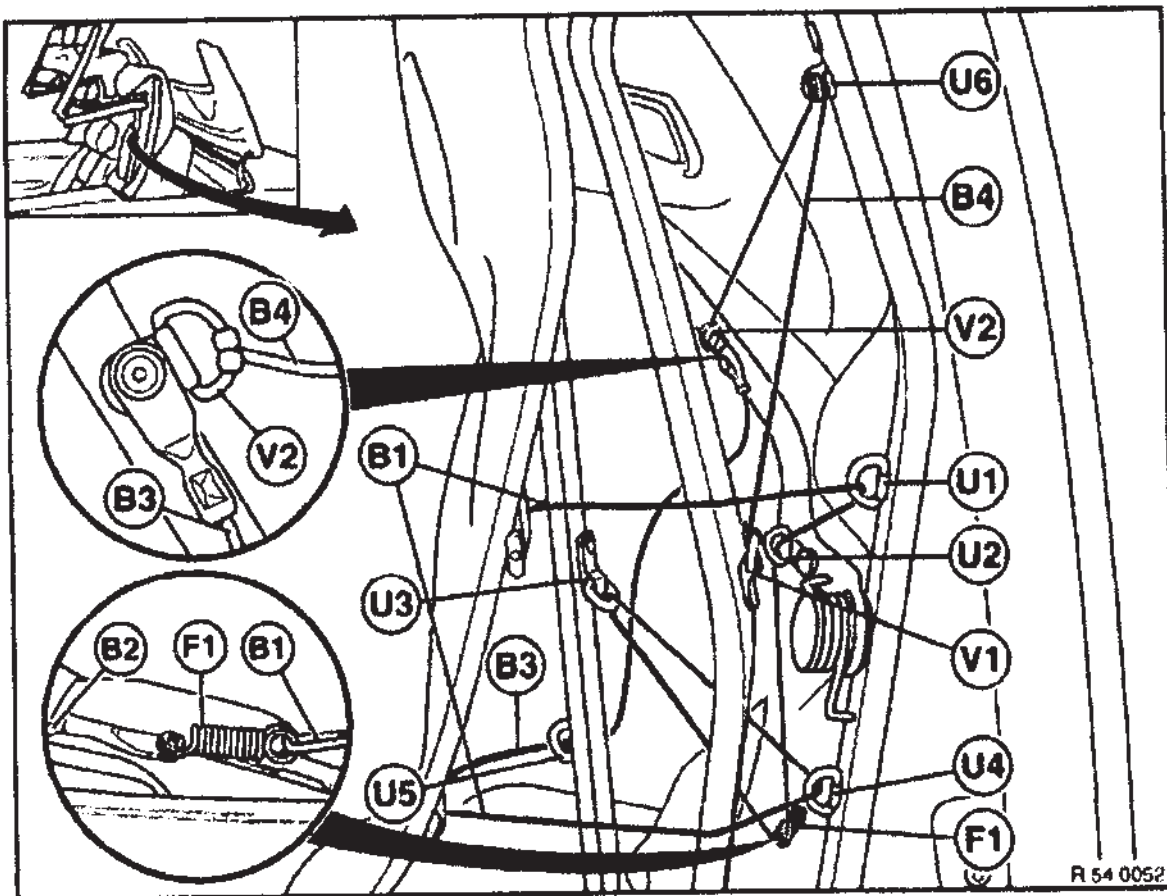
Electron Top Mfg Co

126-15 89th Ave.
Richmond Hill, NY 11418
(800) 221-4476

BM8110
1994-99 BMW 318, 323, 325, & 328 I
Headliner Installation Aid

Only version "with" foilding aid for convertible top cover (built up to 10/95):

Only version "with" folding aid for convertible top cover (build status up to 10/95):



Electron Top Mfg Co

126-15 89th Ave.
Richmond Hill, NY 11418
(800) 221-4476

Pg 8 of 8